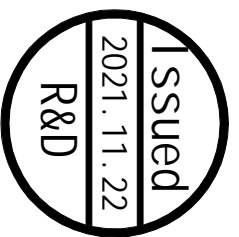
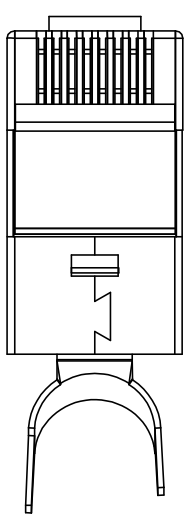
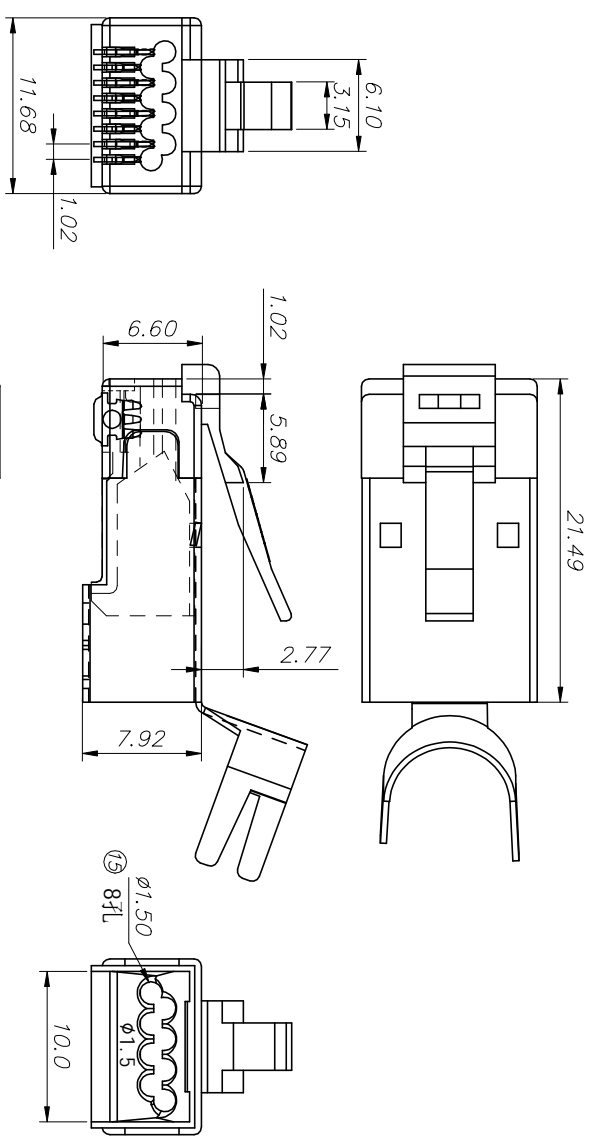


REV	DATE	MODIFICATION	DRAWN
1	2021/02/18		



SPECIFICATIONS

1. ELECTRICAL:
 UL APPLICATIONS: 250 VOLTS AC MAX. AT 2 AMPS.
 DIELECTRIC WITHSTANDING VOLTAGE: 1000 VOLTS AC. 60 SEC.
 INSULATION RESISTANCE: 500 MQ.
 CONTACT RESISTANCE: 20mΩ MAX.
 OPERATING AMBIENT TEMPERATURE: -40°C - 70°C.

2. MECHANICAL:
 STRAIN RELIEF: 20POUND MIN.
 DURABILITY: 400 MATING CYCLES.

3. MATERIAL:
 HOUSING: POLYCARBONATE. UL 94V-0 OR UL 94V-2.
 COLOR: TRANSPARENT OR OTHER COLOR ARE AVAILABLE.
 CONTACT BLADE: COPPER ALLOY.
 GOLD PLATING: 3u"-50u", ARE AVAILABLE.
 SHIELDED SHELL: COPPER NICKEL ALLOY.

4. USAGE:
 SUITABLE FOR STRANDED & SOLID WIRE 23AWG ~ 26AWG.
 (It can be used for the wire OD from Ø 1.35 ~ Ø1.45)

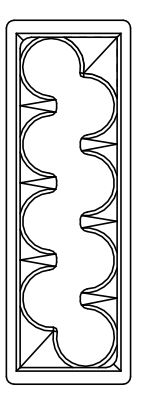
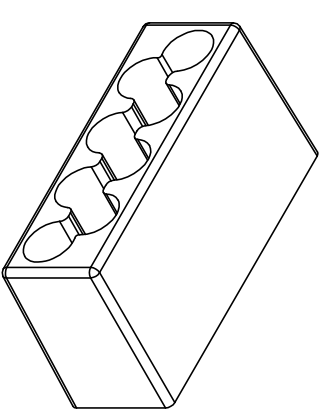
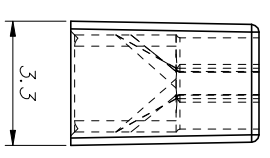
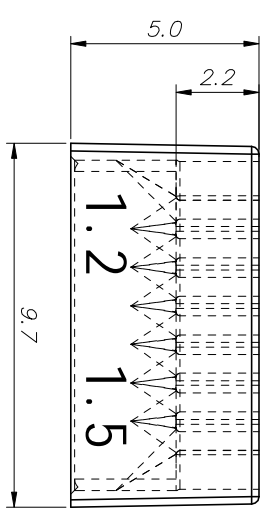
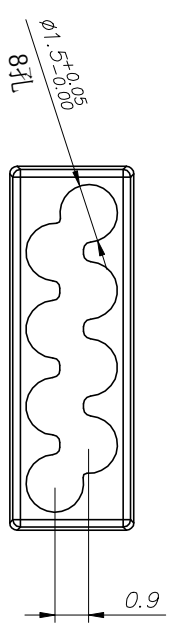
BLADE:	E	EB	Y	YB	Z	A	AE	AB	ZD
Drawing									
Mark					✓				✓
GOLD PLATING	3Mu"	3u"	6u"	15u"	30u"	50u"		CABLE TYPE	ROUND
Mark		✓						Mark	✓

EXW 宁波卓新通讯连接器有限公司
 NINGBO EXCELLENCE COMMUNICATED CONNECTOR CO.,LTD

DIMENSION IN mm (Inch)	TOLERANCE UNLESS OTHERWISE SPECIFIED	MATERIAL	DWG NO.
.X±0.20	.X±.5°	PC	PLUG-542-0002
.XX±0.10	.XX±.2°	TITLE	P88R5ZD03V2SI T-3Y

APPROVAL	Cathyl Li	CHECKED	Zach	DRAWN	Cathyl Li	SCALE	2/1	SHEET	1/1
	Carline					PROL.		REV	A

REV	DATE	MODIFICATION	DRAWN
	2019/09/06		



Issued
 2021.11.22
R&D

EXW		NINGBO EXCELLENCE COMMUNICATED CONNECTOR CO.,LTD	
DIMENSION IN mm (Inch)		MATERIAL	DWG NO
TOLERANCE UNLESS OTHERWISE SPECIFIED		PC	PLUG INSERT-040D
X ± 0.20	X $\pm 5^\circ$	TITLE	3Y1T (1.5) 3.3
.XX ± 0.10	.XX $\pm 2^\circ$	DRAWN	Zach
APPROVAL	CHECKED	SCALE	SHEET
Carine	Zach	5/1	1/1
		PRDL	REV
			A